

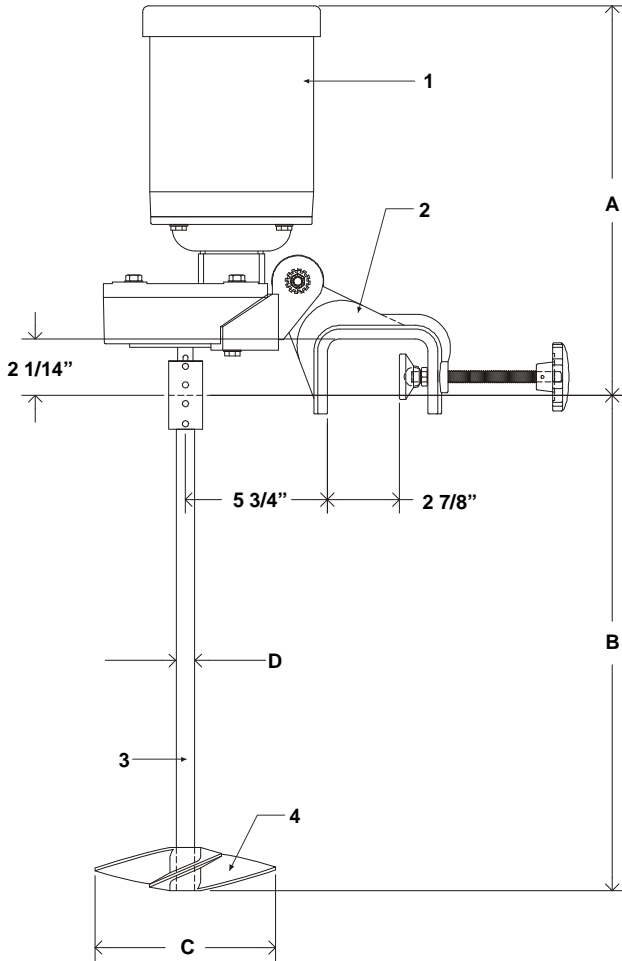
J.L. WINGERT CO.

P.O. Box 6207 • Garden Grove, CA 92846-6207 / 11800 Monarch Street • Garden Grove, CA 92841-2113
 Phone (714) 379-5519 • Fax (714) 379-5549 ■ Email: customerservice@jllwingert.com
 Northern California Region • Phone (510) 487-5310 ■ Southwest Region • Phone (602) 470-1015
 www.jllwingert.com

MANUFACTURING: Mixers, Bypass Feeders, Filter Feeders, Bromine Feeders, Sample Coolers, Sludge Traps, Separators, Separator Systems, Tank Stands,
 Tank Package Systems, Glycol Feed Systems, Coupon Racks, Control Stations, NEMA Enclosures, Custom Packaged Systems and Specialty Welding

Specification Sheet #011008 Rev. "A" (4/01)

MODEL "WXL" 1/3 HP THRU 1 1/2HP CLAMP MOUNT MIXERS



SPECIFICATIONS:

KEY	DESCRIPTION
1	MOTOR: 1/3HP thru 1 1/2HP TEFC, with 350RPM gear reducer
2	MOUNT: Cast aluminum 4" clamp
3	SHAFT: 3/4" D x 48" L, 316 stainless steel shaft
	SHAFT: 1" D x 60" L, 316 stainless steel shaft
4	PROPELLER: 8" thru 15" 316 stainless steel marine style propeller

NOTE: See instruction manual for replacement part numbers.

POWER REQUIREMENTS:	WXL-20C	WXL-30C	WXL-40C	WXL-50C	WXL-60C
Horsepower	1/3 HP	1/2 HP	3/4 HP	1 HP	1 1/2 HP
115/230V 1φ 60Hz	6.2A / 3.1A	8.8A / 4.4A	10.8A / 5.4A		
230/460V 3φ 60Hz	3.2A / 1.6A	4.0A / 2.0A	5.6A / 2.6A	7.2A / 3.6A	10.0A / 5.0A
Air		20CFM/40#	30CFM/60#	40CFM/40#	55CFM/60#

DIMENSIONS & WEIGHT:

KEY	WXL-20C	WXL-30C	WXL-40C	WXL-50C	WXL-60C
A	15 5/8"	16 1/8"	16 5/8"	17 1/8"	18 1/8"
B	48"	48"	60"	60"	60"
C (single)	10" diameter	12" diameter	13" diameter	14" diameter	15" diameter
C (dual)	8" diameter	10" diameter	11" diameter	12" diameter	13" diameter
D	3/4" diameter	3/4" diameter	3/4" diameter	1" diameter	1" diameter
Weight	65 lbs. approx.	70 lbs. approx.	80 lbs. approx.	90 lbs. approx.	90 lbs. approx.

Note: All dimensions are +/- 1/8" and based on electric motors. All weights are approximate. All dimensions are subject to change without notice.